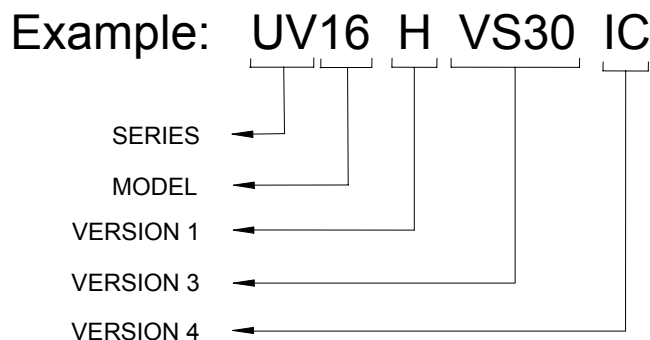


UV Vacuum Pump IDENTIFICATION



UV versions			
(follow the sequence here below)			
Pos.	Version	Description	Specification
1	H	Hot operating temperature	for water vapour suction
2	G	Smaller Electrical Motor	for vacuum from 0,5 to 300 mbar(a)
3	VS ... ⁽¹⁾	Variable rotation Speed	with frequency converter
4	IC	Inlet pressure Control	overpressure protection
5	OC	Operating Constant Pressure control device	for net constant pressure control
6	B ⁽²⁾	with roots B ooster	high capacity at low pressure
7	W	Water cooling	water cooled oil cooler
8	AW	Air or Water cooling	air or water oil cooling (manual selection)
9	HR	Heat Recovery	air and/or water oil cooling (automatic mode)
10	HC	Hot Climate	one step higher motors and electrical parts
11	BF	Bottle Filling	special version for beer filling
12	OS	Oil Separation	with inlet oil separator and oil drainer
13	LS ⁽³⁾	Liquid Separation	with inlet liquid separator and liquid drainer
14	SS ⁽⁴⁾	Stainless Steel	stainless steel cabin
15	PS ⁽⁵⁾	Special Power Supply	different from standard 400 Volt, 50 Hertz, 3 phases
16	Ex ⁽⁶⁾	Ex-proof version	Ex-proof electrical devices
17	BP	Brick and Pasta	UV8 H and UV16 H with big size oil filter
18	S	Special	special customer request

(1) = insert installed motor power in kW

(2) = insert nominal capacity and first letter booster manufacture's name

(3) = LS means pump with liquid separator and liquid drainer made in painted or galvanized carbon steel
LSS means pump with liquid separator and liquid drainer made in AISI 304 stainless steel

(4) = AISI 304 stainless steel vacuum pump cabin

(5) = PS380.60.3

(6) = fill Ex proof zone, division and group

Example: VS30

Example: B2000B means 2.000 m³/h booster Bora manufactured

Example: 380 Volt, 60 Hertz, 3 phases power supply