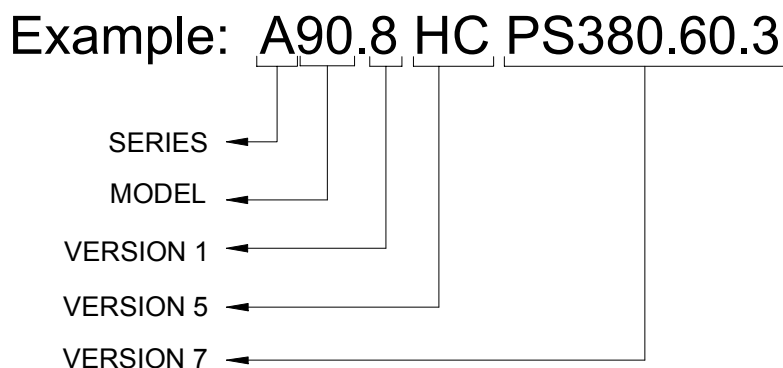


A Compressor IDENTIFICATION



A versions (follow the sequence here below)			
Pos.	Version	Description	Specification
1	.8 ⁽¹⁾	Pressure Range	operating working pressure
2	W	Water cooling	water cooled oil cooler
3	AW	Air or Water cooling	air or water oil cooling (manual selection)
4	HR	Heat Recovery	air and/or water oil cooling (automatic mode)
5	HC	Hot Climate	one step higher motors and electrical parts
6	SS ⁽²⁾	Stainless Steel	stainless steel cabin
7	PS ⁽³⁾	Special Power Supply	different from standard 400 Volt, 50 Hertz, 3 phases
8	Ex ⁽⁴⁾	Ex-proof version	Ex-proof electrical devices
9	S	Special	special customer request

(1) = .4 for operating pressure range from 2,5 to 4 bar(g)
 .8 for operating pressure range from 4 to 8 bar(g)
 .10 for operating pressure range from 4 to 10 bar(g)

(2) = AISI 304 stainless steel compressor cabin

(3) = PS380.60.3

(4) = fill Ex proof zone, division and group.

Example: A90.8 means from 4 to 8 bar(g)

Example: 380 Volt, 60 Hertz, 3 phases power supply